



MVDM

MVDM.DLL is a fake DLL aimed to control MVM.

Ordinal	Name	Description	Status
1	VDHSETDOSDEVICE		
2	_TKSSBase		
3	VDHINSTALLUSERHOOK		
4	VDHPOPUP		
5	VDHKILLVDM		
6	VDHSETPRIORITY		
7	VDHFREEZEVDM		
8	VDHTHAWVDM		
9	VDHISVDMFROZEN		
10	VDHINSTALLFAULTHANDLER		
11	VDHENUMERATEVDMS		
12	VDHHANDLEFROMSGID		
13	VDHHANDLEFROMPID		
14	VDHINSTALLIOHOOK		
15	VDHREMOVEIOHOOK		
16	VDHSETIOHOOKSTATE		
17	VDHINSTALLINTHOOK		
18	VDHARMBPHOOK		
19	VDHARMSTIHOOK		
20	VDHARMRETURNHOOK		
21	VDHINSTALLFAULTHOOK		
22	VDHREMOVEFAULTHOOK		
23	VDHOPENPDD		
24	VDHREGISTERVDD		
25	VDHOPENVDD		
26	VDHREQUESTVDD		
27	VDHALLOCMEM		
28	VDHFREEMEM		
29	VDHALLOCDOSMEM		
30	VDHCREATEBLOCKPOOL		
31	VDHALLOCBLOCK		
32	VDHFREEBLOCK		
33	VDHDESTROYBLOCKPOOL		
34	VDHCOPYMEM		
35	VDHEXCHANGEMEM		
36	VDHLOCKMEM		
37	VDHUNLOCKMEM		

Ordinal	Name	Description	Status
38	VDHQUERYSEL		
39	VDHCREATESEL		
40	VDHDESTROYSEL		
41	VDHALLOCPAGES		
42	VDHREALLOCPAGES		
43	VDHFREEPAGES		
44	VDHFINDFREEPAGES		
45	VDHGETDIRTYPAGEINFO		
46	VDHQUERYFREEPAGES		
47	VDHRESERVEPAGES		
48	VDHMAPPAGES		
49	VDHARMTIMERHOOK		
50	VDHDISARMTIMERHOOK		
51	VDHOPEN		
52	VDHCLOSE		
53	VDHREAD		
54	VDHWRITE		
55	VDHPUSHINT		
56	VDHPOPINT		
57	VDHPUSHREGS		
58	VDHPOPREGS		
59	VDHPUSHFARCALL		
60	VDHVIEWHANDLE		
61	VDHREGISTERAPI		
62	VDHGETERROR		
63	VDHSETERROR		
64	VDHQUERYSYSVALUE		
65	VDHPUTSYSVALUE		
66	VDHSEEK		
67	VDHDEVIOCTL		
68	VDHPHYSICALDISK		
69	VDHFSCTL		
70	VDHYIELD		
71	VDHARMCONTEXTHOOK		
72	VDHHALTSYSTEM		
73	VDHGETCODEPAGEFONT		
74	VDHRELEASECODEPAGEFONT		
75	_VDHPanic		
76	_printf		
77	VDHSETTIMER0		
78	VDHDEVBEEP		
79	VDHSETFLAGS		
80	VDHASSERTTASK		
81	VDHASSERTVDMTASK		
82	VDHASSERTTASKONLY		

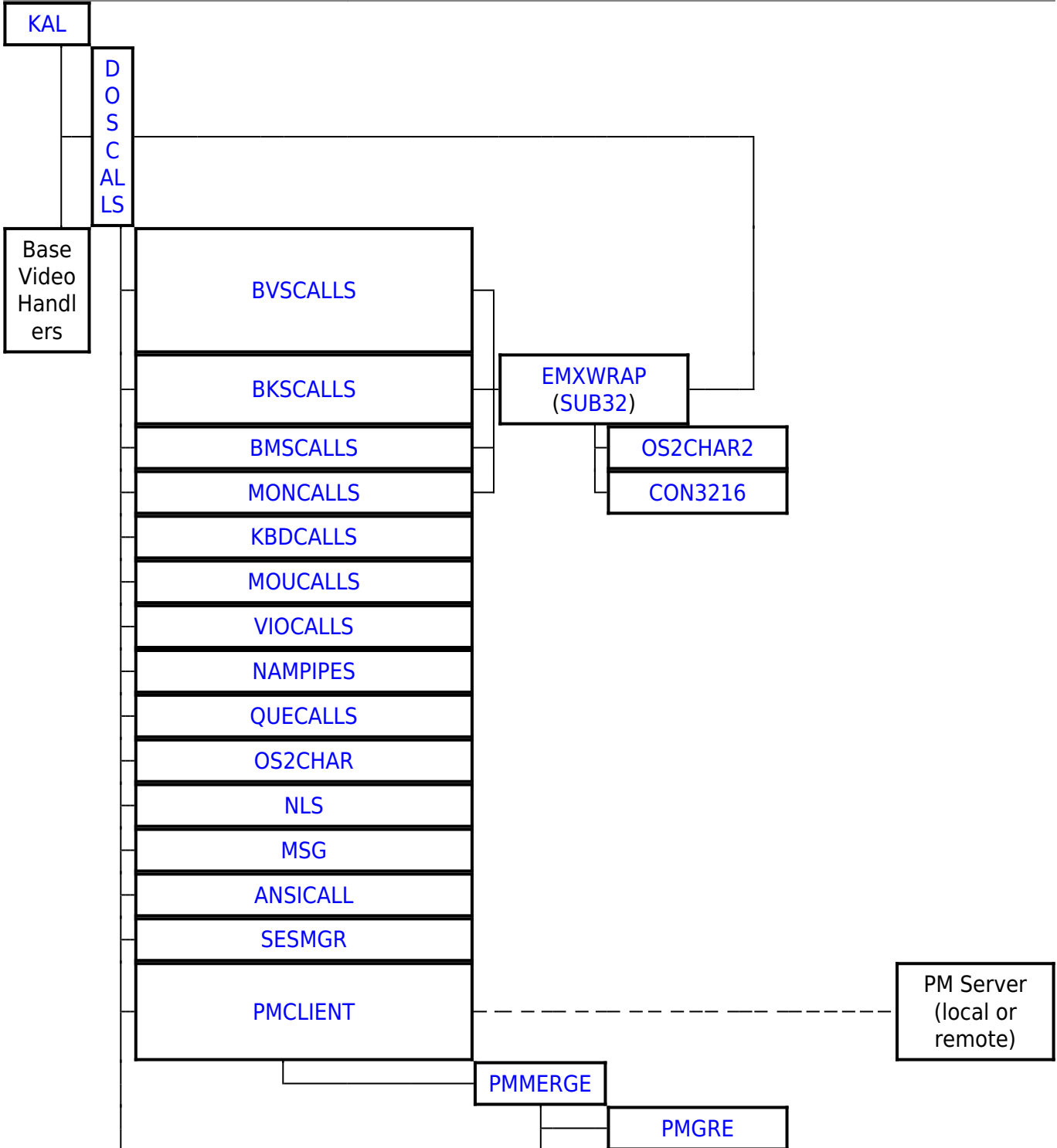
Ordinal	Name	Description	Status
83	VDHASSERTVDMTASKONLY		
84	VDHASSERTINITONLY		
85	VDHCHECKHVDM		
86	VDHALLOCHOOK		
87	VDHQUERYHOOKDATA		
88	VDHFREEHOOK		
89	VDHRELEASENPX		
90	VDHNPXRESET		
91	VDHNPXCLEARBUSY		
92	VDHNPXREGISTERVDD		
93	VDHUNRESERVEPAGES		
94	VDHQUERYLIN		
95	VDHCREATESEM		
96	VDHDESTROYSEM		
97	VDHQUERYSEM		
98	VDHRESETEVENTSEM		
99	VDHPOSTEVENTSEM		
100	VDHWAITEVENTSEM		
101	VDHREQUESTMUTEXSEM		
102	VDHRELEASEMUTEXSEM		
103	VDHREGISTERPROPERTY		
104	VDHQUERYPROPERTY		
105	VDHREGISTERPERFCTRS		
106	VDHDECODEPROPERTY		
108	VDHPUSHSTACK		
109	VDHPOPSTACK		
110	VDHALLOCDMABUFFER		
111	VDHFREEDMABUFFER		
112	INTSETVDMIRQ		
113	INTUNSETVDMIRQ		
114	INTEOIVDMIRQ		
115	VDHSWITCHTOV86		
116	VDHSWITCHTOVPM		
117	VDHCHECKVPMINTVECTOR		
118	VDHGETVPMINTVECTOR		
119	VDHSETVPMINTVECTOR		
120	VDHARMVPMBPHOOK		
121	VDHBEGINUSEVPMSTACK		
122	VDHENDUSEVPMSTACK		
123	_flVdmStatus		
124	VDHCLOSEVDD		
125	_pdhdHostData		
126	VDHREGISTERDPMI		
127	_flVpmIRQHooks		
128	VDHCHANGEVPMIF		

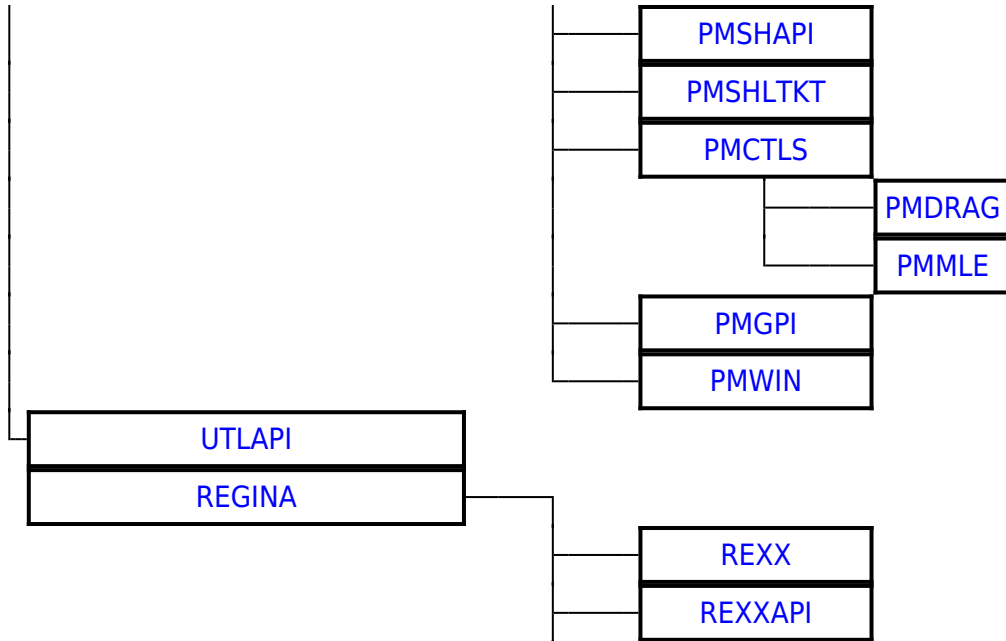
Ordinal	Name	Description	Status
129	VDHGETSELBASE		
130	VDHREADUBUF		
131	VDHWRITEUBUF		
132	VDHCHECKPAGEPERM		
133	VDHRAISEEXCEPTION		
134	VDHSTARTHWINT		
135	VDHGETVPMEXCEPT		
136	VDHSETVPMEXCEPT		
137	VDHPROBEUBUF		
138	VDHPREPVPIMRET		
139	VDHPOPVPMFARRET		
140	VDHCHECKVPMEXCEPT		
141	VDHSETBOOST		
142	VDHWAKERAMSEM		
143	VDHREQUESTRAMSEM		
144	VDHPROCESSTOGLOBAL		
145	VDHVALIDATEPID		
146	VDHMAPMEMBLOCK		
147	DEVWOHANDLE		
148	VDHVMGETHANDLE		
149	VDHVMATTACH		
150	VDHCREATETHREAD		
151	VDHEXITTHREAD		
152	_em86Is32Sel		
154	VDHWAITRAMSEM		
156	VDHVMDETACH		
157	VDHGETFLAGS		
158	VDHALLOCSHAREDMEM		
159	VDHFREESHAREDMEM		
160	VDHALLOCUSERMEM		
161	VDHFREEUSERMEM		
162	VDHSETUSERMEM		
163	VDHQUERYUSERMEM		
164	VDHQUERYARENA		
165	VDHSETMAXFILEHANDLES		

OS/2 DLLs

Base API	DOSCALLS EMXWRAP SUB32 ANSICALL NLS MSG MONCALLS KBD CALLS MOUCALLS VIOCALLS SESMGR BKSCALLS BMSCALLS BVSCALLS NAMPIPES QUECALLS OS2CHAR
Bidirectional NLS	BDCALLS BDCALLS32 BDIME BDBVH BDVIEW BDWPCLS BIDIPM PMBIDI
Unicode API	UCONV UNIKBD LIBUNI
BVH (Base Video Handlers)	BVHINIT BVHMPA BVHVGA BVHSVGGA BVHWNDW
GRADD subsystem	VMAN SOFTDRAW GRE2VMAN GENGRADD
IPF (Information Presentation facility)	HELPMGR HPMGRMRI MINXOBJ IBMHMGR NEWVIEW MINXMRI ERRTXT

OS/2 DLLs	
REXX	REXX REXXAPI REXXUTIL REGINA
The core PM DLL's	PMMERGE PMMRGRES PMSHAPI PMSHLTKT PMGRE PMGPI PMDRAG PMCTLS PMMLE PMSPL PMVIOP PMWIN
Open32	PMWINX MIRRORS REGISTRY
Intelligent Font Interface drivers	PMATM TRUETYPE PMUNIF FREETYPE PMPRE
Data Exchange	PMCLIP PMDDE PMDDEML
VDM PM interface	PMVDMH PMVDMP SEAMLESS SHIELD
WPS	PMWP PMWPMRU PMVDDROP
Miscellaneous	PMPIC PMTKT MVDM
SOM API	SOM SOMC





2016/07/25 02:16 · prokushev · [0 Comments](#)

From:
<http://osfree.org/doku/> - **osFree wiki**

Permanent link:
<http://osfree.org/doku/doku.php?id=en:docs:os2:modules:mvdms>

Last update: **2023/11/16 03:06**

