



Please help to find info about enries marked as *No info*

## BVHINIT

minimal BVH, capable of writing via int 10h when booting

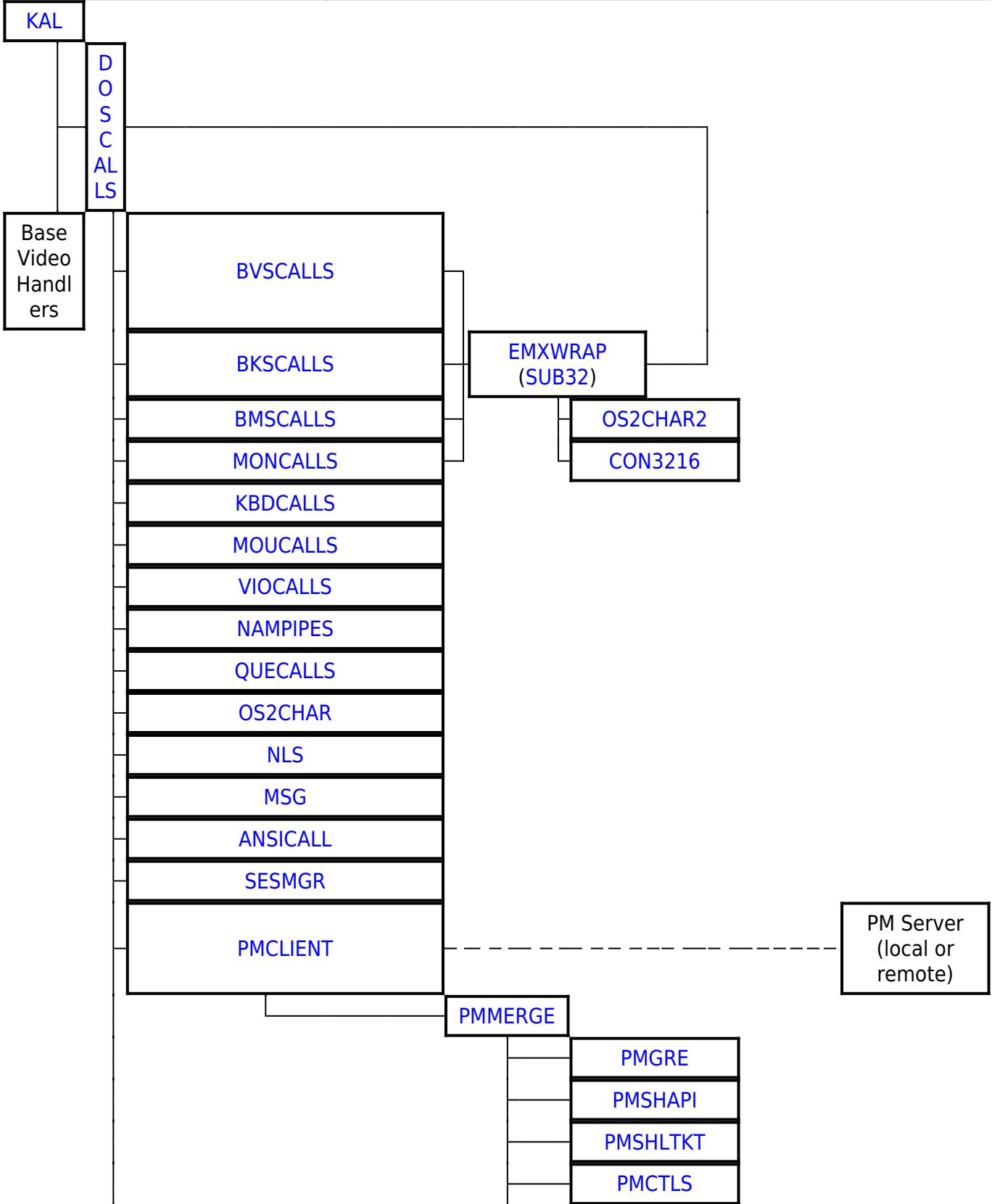
Ordinal	Name	Desc	Status
1	CHARFONTEND		
2	ACCESSREGISTER		
3	DEVENABLE	Fills the entries in the Call Vector Table for all of the functions supported by this BVH. It is called as a subfunction of the Presentation Manager enable function entry point	

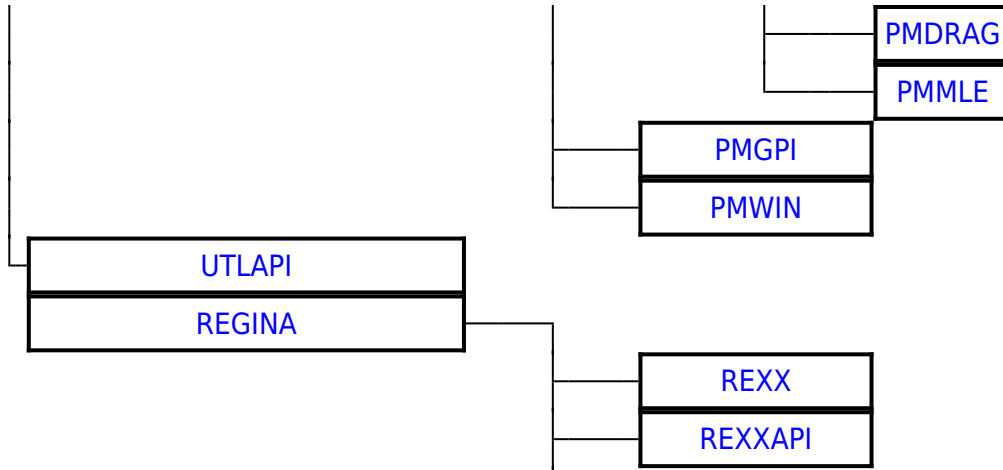
BVH functions (initialized via DevEnable)

100h (256) Function 100h Text Buffer Update
101h (257) Function 101h Initialize Environment
102h (258) Function 102h Save Environment
103h (259) Function 103h Restore Environment
104h (260) Function 104h Query Config Info
105h (261) Function 105h DBCS Display Info
108H (264) Function 108h Query Cursor Info
109H (265) Function 109h Set Cursor Info
10CH (268) Function 10Ch Query Mode
10DH (269) Function 10Dh Set Mode
112H (274) Function 112h Query Variable Info
113H (275) Function 113h Set Variable Info
117H (279) Function 117h Query LVB Info
118H (280) Function 118h Get video state
119H (281) Function 119h Set video state

OS/2 DLLs	
Base API	DOSCALLS EMXWRAP SUB32 ANSICALL NLS MSG MONCALLS KBDSCALLS MOUCALLS VIOCALLS SESMGR BKSCALLS BMSCALLS BVSCALLS NAMPIPES QUECALLS OS2CHAR
Bidirectional NLS	BDCALLS BDCALLS32 BDIME BDBVH BDVIEW BDWPCLS BIDIPM PMBIDI
Unicode API	UCONV UNIKBD LIBUNI
BVH (Base Video Handlers)	BVHINIT BVHMPA BVHVGGA BVHVSOGA BVHWNDW
GRADD subsystem	VMAN SOFTDRAW GRE2VMAN GENGRADD
IPF (Information Presentation facility)	HELPMGR HPMGRMRI MINXOBJ IBMHMGR NEWVIEW MINXMRI ERRTXT
REXX	REXX REXXAPI REXXUTIL REGINA
The core PM DLL's	PMMERGE PMMRGRES PMSHAPI PMSHLTKT PMGRE PMGPI PMDRAG PMCTLS PMMLE PMSPL PMVIOP PMWIN
Open32	PMWINX MIRRORS REGISTRY

<b>OS/2 DLLs</b>	
Intelligent Font Interface drivers	PMATM TRUETYPE PMUNIF FREETYPE PMPRE
Data Exchange	PMCLIP PMDDE PMDDEML
VDM PM interface	PMVDMH PMVDMP SEAMLESS SHIELD
WPS	PMWP PMWPMRU PMVDDROP
Miscellaneous	PMPIC PMTKT MVDM
SOM API	SOM SOMC





2016/07/25 02:16 · prokushev · [0 Comments](#)

From:  
<https://ftp.osfree.org/doku/> - **osFree wiki**

Permanent link:  
<https://ftp.osfree.org/doku/doku.php?id=en:docs:os2:modules:bvhinit&rev=1533625139>

Last update: **2018/08/07 06:58**

