



MVDM

MVDM.DLL is a fake DLL aimed to control MVM.

Ordinal	Name	Description	Status
1	VDHSETDOSDEVICE		
2			
3			
4			
5			
6			
7			
8			
9			
10			
11			
12			
13			
14			
15			
16			
17			
18			
19			
20			
21			
22			
23			
24			
25			
26			
27			
28			
29			
30			
31			
32			
33			
34			
35			
36			
37			

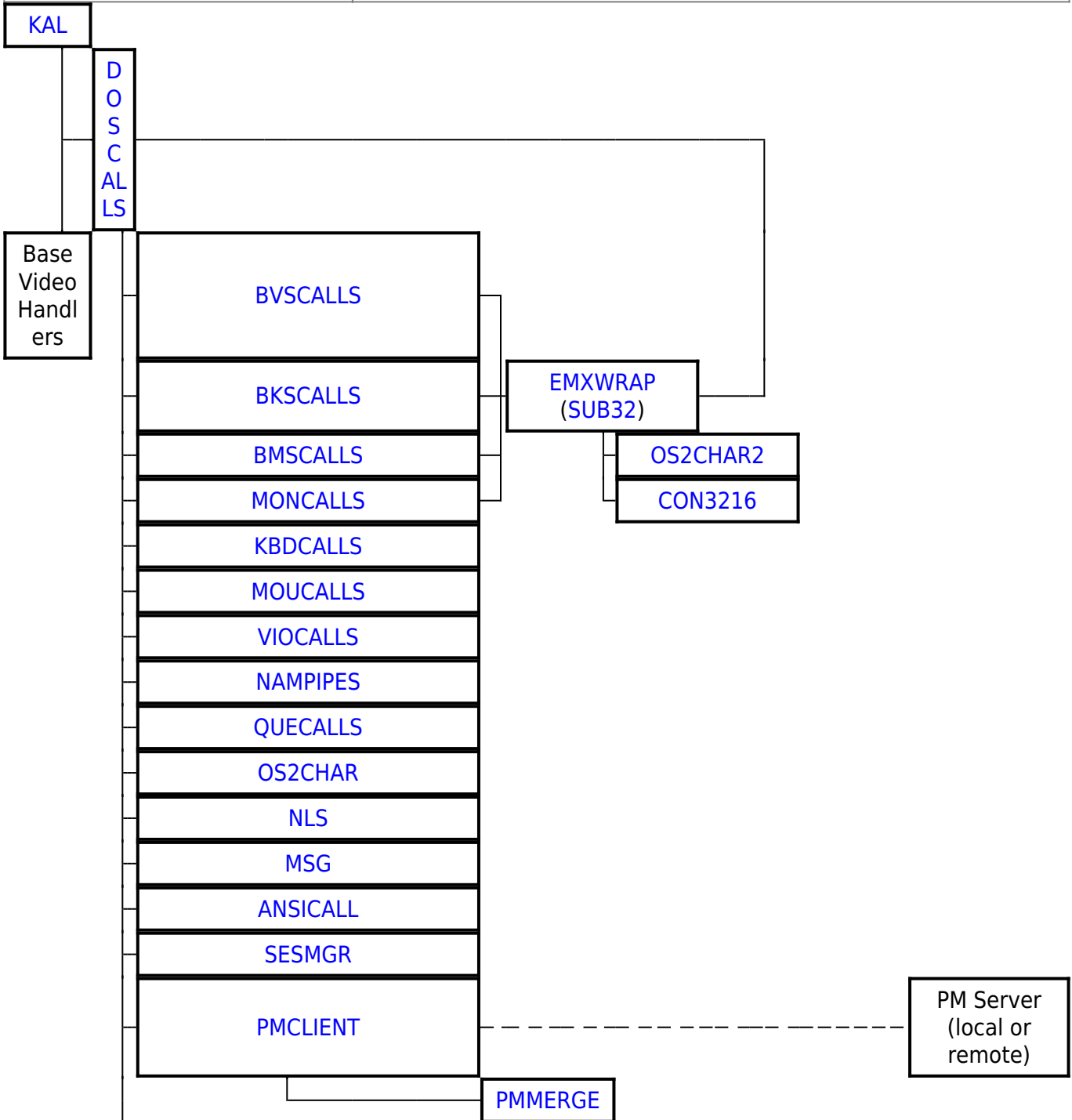
Ordinal	Name	Description	Status
38			
39			
40			
41			
42			
43			
44			
45			
46			
47			
48			
49			
50			
51			
52			
53			
54			
55			
56			
57			
58			
59			
60			
61			
62			
63			
64			
65			
66			
67			
68			
69			
70			
71			
72			
73			
74			
75			
76			
77			
78			
79			
80			
81			
82			

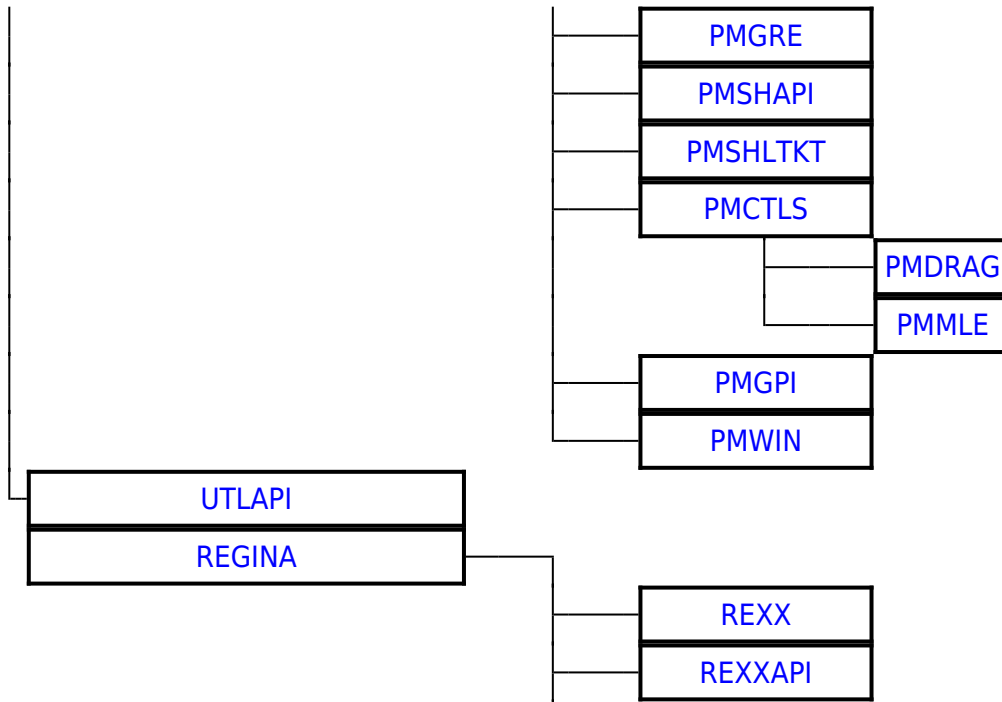
Ordinal	Name	Description	Status
83			
84			
85			
86			
87			
88			
89			
90			
91			
92			
93			
94			
95			
96			
97			
98			
99			
100			
101			
102			
103			
104			
105			
106			
108			
109			
110			
111			
112			
113			
114			
115			
116			
117			
118			
119			
120			
121			
122			
123			
124			
125			
126			
127			
128			

Ordinal	Name	Description	Status
129			
130			
131			
132			
133			
134			
135			
136			
137			
138			
139			
140			
141			
142			
143			
144			
145			
146			
147			
148			
149			
150			
151			
152			
154			
156			
157			
158			
159			
160			
161			
162			
163			
164			
165			

OS/2 DLLs	
Base API	DOSCALLS EMXWRAP SUB32 ANSICALL NLS MSG MONCALLS KBDSCALLS MOUCALLS VIOCALLS SESMGR BKSCALLS BMSCALLS BVSCALLS NAMPIPES QUECALLS OS2CHAR
Bidirectional NLS	BDCALLS BDCALLS32 BDIME BDBVH BDVIEW BDWPCLS BIDIPM PMBIDI
Unicode API	UCONV UNIKBD LIBUNI
BVH (Base Video Handlers)	BVHINIT BVHMPA BVHVGGA BVHVSVGA BVHWNDW
GRADD subsystem	VMAN SOFTDRAW GRE2VMAN GENGRADD

OS/2 DLLs	
IPF (Information Presentation facility)	HELPMGR HPMGRMRI MINXOBJ IBMHMGR NEWVIEW MINXMRI ERRTXT
REXX	REXX REXXAPI REXXUTIL REGINA
The core PM DLL's	PMMERGE PMMRGRES PMSHAPI PMSHLTKT PMGRE PMGPI PMDRAG PMCTLS PMMLE PMSPL PMVIOP PMWIN
Open32	PMWINX MIRRORS REGISTRY
Intelligent Font Interface drivers	PMATM TRUETYPE PMUNIF FREETYPE PMPRE
Data Exchange	PMCLIP PMDDE PMDDEML
VDM PM interface	PMVDMH PMVDMP SEAMLESS SHIELD
WPS	PMWP PMWPMRU PMVDDROP
Miscellaneous	PMPIC PMTKT MVDM
SOM API	SOM SOMC





2016/07/25 02:16 · prokushev · 0 Comments

From:
<http://ftp.osfree.org/doku/> - **osFree wiki**

Permanent link:
<http://ftp.osfree.org/doku/doku.php?id=en:docs:os2:modules:mvdn&rev=1700103773>

Last update: **2023/11/16 03:02**

